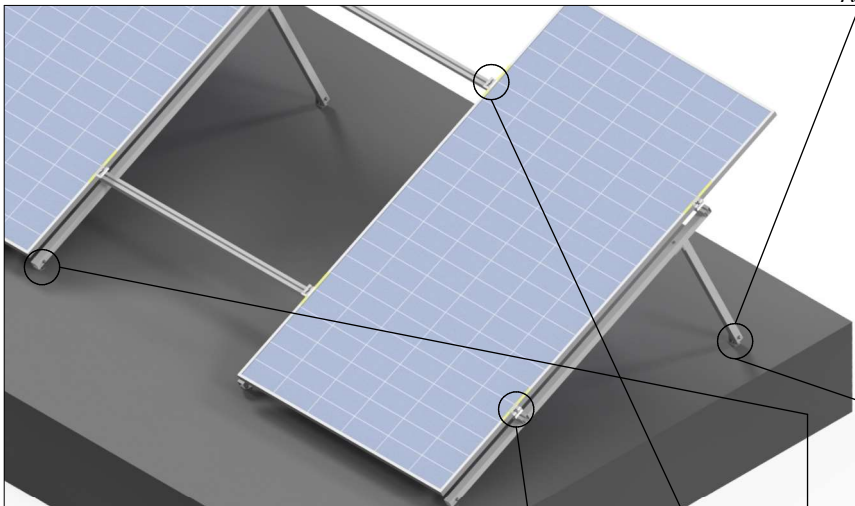
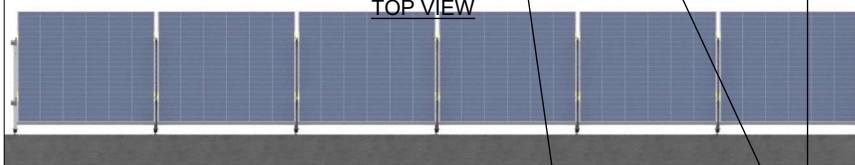


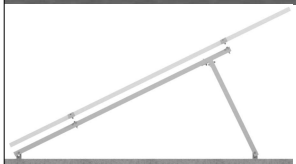
**ASSEMBLY DETAILS FOR FLAT CHEMICAL**



**TOP VIEW**

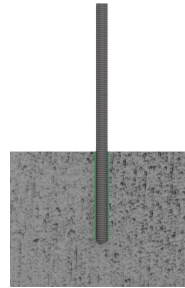


**FRONT VIEW**



**SIDE VIEW**

**1. SAF-LOCK ASSEMBLY**

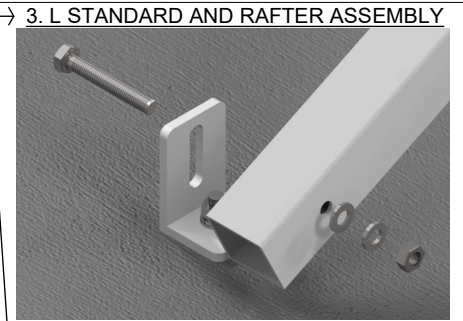


THE DEPTH OF THE HOLE IS 60mm. THE SIZE OF THE HOLE IN THE CONCRETE SHOULD BE A M10 SIZE. SPRAY IN THE CHEMICAL COMPOUND (INDICATED AS GREEN) UNTIL THE HOLE IS FULL AND INSERT THE THREADED ROD.

**2. SAF-LOCK AND TOP & BOTTOM RAIL ASSEMBLY.**

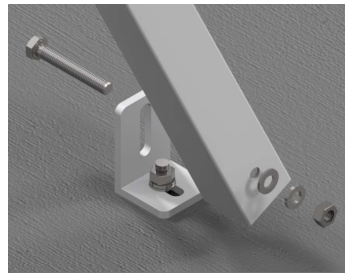


BOLT DOWN THE L STANDARD BRACKET TO 15 Nm. NOTE THAT A M8 SPRING WASHER AND M8 WASHER IS USED.



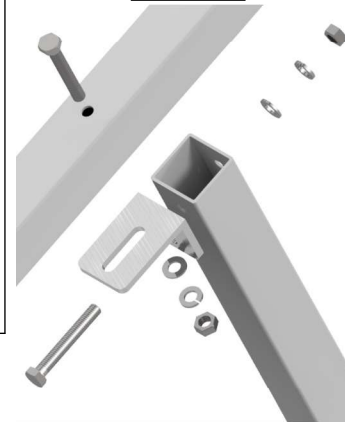
TORQUE THE RAFTER TO THE L STANDARD BRACKET TO 15 Nm. NOTE THAT A M8 SPRING WASHER AND M8 WASHER IS USED.

**4. L STANDARD AND UPRIGHT ASSEMBLY**



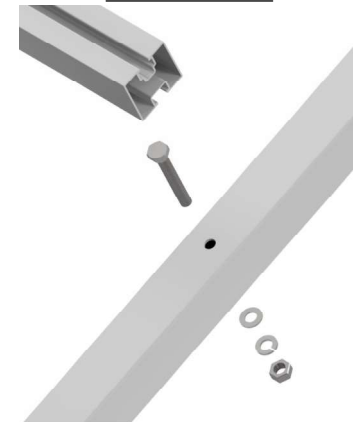
TORQUE THE UPRIGHT TO THE L STANDARD BRACKET TO 15 Nm. NOTE THAT A M8 SPRING WASHER AND M8 WASHER IS USED.

**5. RAFTER TO UPRIGHT ASSEMBLY**



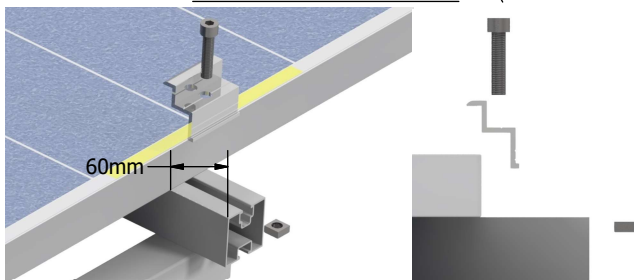
TORQUE THE UPRIGHT AND RAFTER NUTS AND BOLTS TO 15 Nm. NOTE THAT A M8 SPRING WASHER AND M8 WASHER IS USED.

**5. RAFTER AND TOP & SIDE RAIL ASSEMBLY**



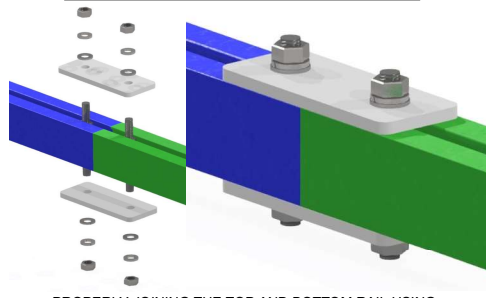
TORQUE THE TOP & SIDE RAIL AND RAFTER NUTS AND BOLTS TO 15 Nm. NOTE THAT A M8 SPRING WASHER AND M8 WASHER IS USED.

**4. END CLAMP ASSEMBLY**



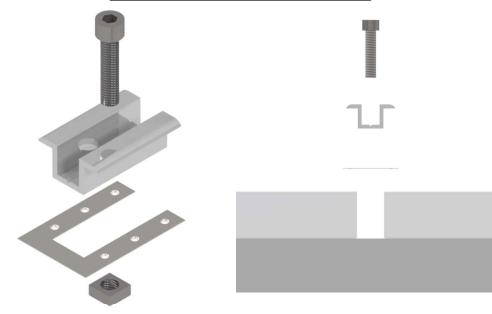
MAINTAIN DISTANCE OF 60mm BETWEEN THE EDGE OF THE RAIL AND THE SOLAR PANEL. THIS GUIDELINE IS NECESSARY TO ENSURE THAT THERE IS ENOUGH SPACE FOR THE END CLAMP TO BOLT TO THE TOP & BOTTOM RAIL. POSITION THE END CLAMP CORRECTLY WITH THE CLAMPING ZONES AND TORQUE THE END CLAMP BOLT TO 15 Nm.

**3. TOP & BOTTOM RAIL ASSEMBLY**



PROPERLY JOINING THE TOP AND BOTTOM RAIL USING THE FLAT PLATE. IT IS ESSENTIAL TO ENSURE THAT THE RAILS ARE PRECISELY ALIGNED WITH EACH OTHER, FLUSH, AND LEVEL. THE NUTS ARE TO BE TORQUED TO 15 Nm. NOTE: M8 SPRING WASHER AND M8 WASHER IS USED.

**5. MID CLAMP ASSEMBLY**



ENSURE THAT THE MID CLAMP IS SECURELY FASTENED IN THE CORRECT CLAMPING ZONES. THE MID CLAMP BOLT SHOULD BE TORQUED TO 15 Nm.



TAKE NOTE: IF ANY OTHER CONFIGURATION IS REQUIRED DUE TO SITE CONDITIONS PLEASE CONTACT VALSA.

www.Valsa.co.za