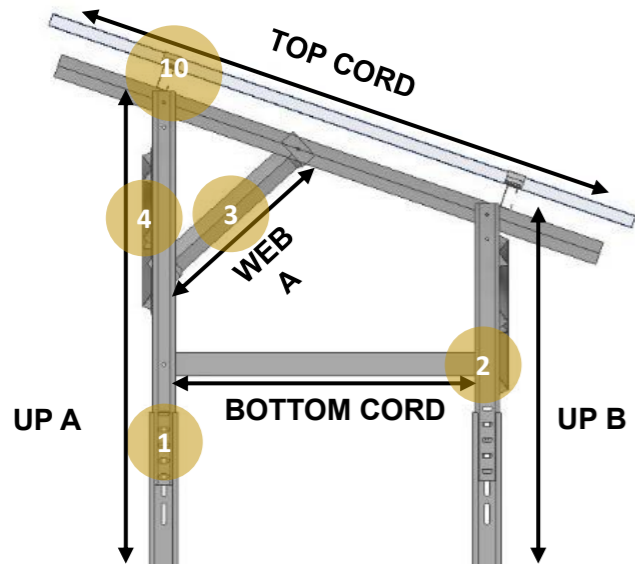


C – CHANNEL PURLIN 1V GROUND MOUNTED SYSTEM



1. UPRIGHT / POLE ASSEMBLY

2. UPRIGHT / BOTTOM CORD ASSEMBLY

3. WEB A ASSEMBLY

4. BRACES ASSEMBLY

5. UPRIGHT / RAFTER ASSEMBLY

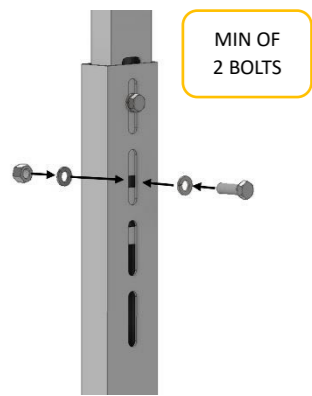
6. RAFTER / PURLIN ASSEMBLY

7. PURLIN CONNECTION ASSEMBLY

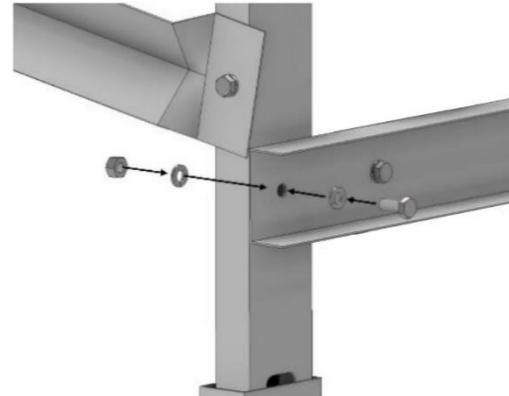
8. MID-CLAMP ASSEMBLY

9. EARTHING PLATE ASSEMBLY

10. END-CLAMP ASSEMBLY



THE POLE IS FIXED TO ONE OF 4 FOUNDATIONS (STANDARD CONCRETE, PILE DRIVEN, FLOAT FOUNDATION, AND STRIP FOUNDATION). THE UPRIGHTS ARE FASTENED TO THE POLE AT 15 Nm



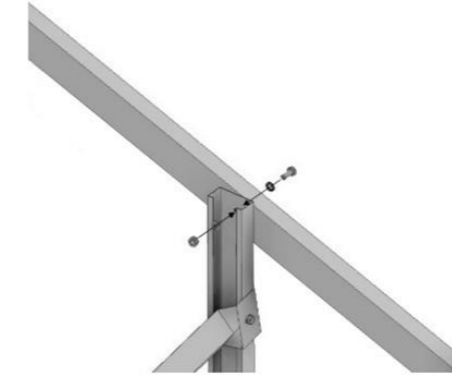
THE BOTTOM CORD IS FIXED TO UPRIGHT A AND B. ENSURE THAT THE BOTTOM CORD BOLTS ARE FASTENED AT 15 Nm TORQUE



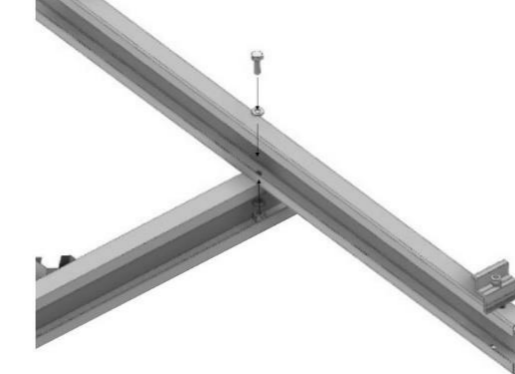
WEB A IS FIXED TO THE BOTTOM CORD AND TOP CORD BETWEEN EACH TRUSS. WEBS ARE FASTENED AT 15 Nm TORQUE



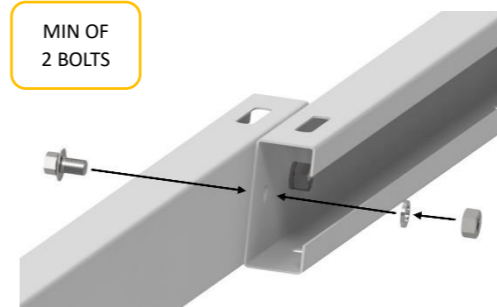
BRACES TO BE INSTALLED ON EACH BAY BETWEEN TRUSSES. ENDS OF BRACES ARE HAMMERED FLAT AND FASTENED TO THE UPRIGHTS AT 15 Nm TORQUE



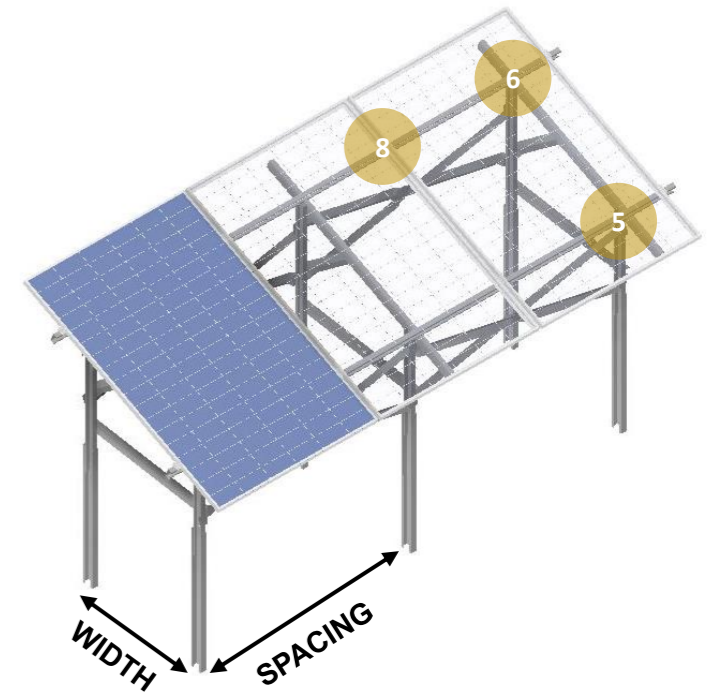
THE RAFTERS ARE FIXED TO EACH UPRIGHT AT THE SPECIFIED LENGTH AND FASTENED AT 15 Nm TORQUE.



ENSURE THAT THE C-CHANNEL PURLIN IS SECURED TO THE TOP CORD BY TIGHTENING THE BOLTS AT 15 Nm TORQUE.



FOR INSTANCES WHERE PURLINS ARE CONNECTED, ENSURE THAT THE PURLINS ARE ALIGNED PERFECTLY, BACK-TO-BACK AND FASTENED AT 15 Nm TORQUE.

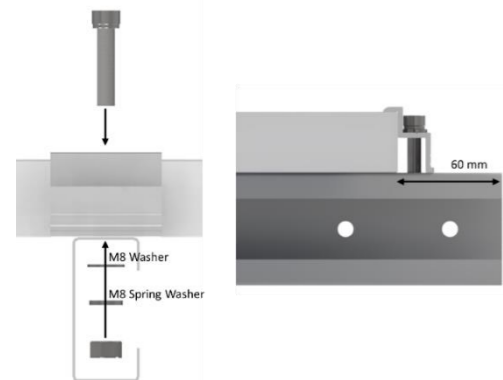


NOTES:

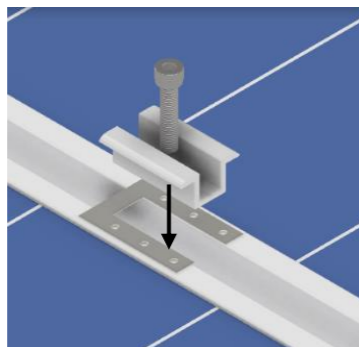
PITCH ANGLES AND COMPONENT LENGTHS MAY VARY, DEPENDING ON THE SPECIFICATIONS OF THE GROUND MOUNT SYSTEM.

20 mm SPACINGS BETWEEN SOLAR PANELS ARE REQUIRED FOR MID CLAMPS TO FIT.

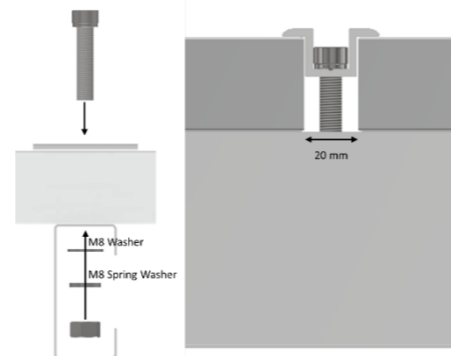
A MAXIMUM TABLE LENGTH OF 44 METERS IS ADVISED DUE TO THE EFFECTS OF THERMAL EXPANSION AND CONTRACTION.



POSITION THE END CLAMPS WITHIN THE CLAMPING ZONES AND ENSURE THAT THE END CLAMP BOLTS ARE FASTENED AT 15 Nm TORQUE.



POSITION THE EARTHING PLATE BETWEEN THE MID CLAMP AND THE SOLAR PANEL AND ENSURE THAT THE EARTHING PLATE PENETRATES THE ANODIZING LAYER OF THE SOLAR PANEL.



ENSURE THAT THE MID-CLAMPS ARE TIGHTLY POSITIONED WITHIN THE CLAMPING ZONES OF THE SOLAR PANEL. THE MID CLAMP BOLT SHOULD BE FASTENED AT 15 Nm TORQUE

TAKE NOTE: IF ANY OTHER CONFIGURATION IS REQUIRED DUE TO SITE CONDITIONS, PLEASE CONTACT VALSA.

www.valsa.co.za

