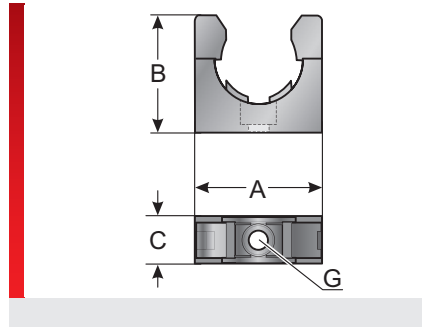
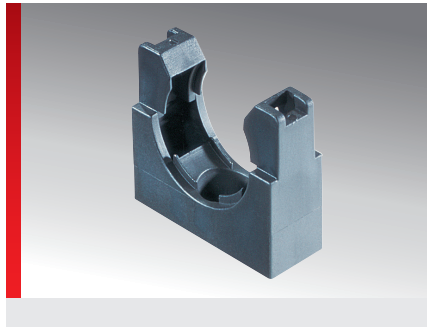


Typ UH



Conduit holder

PRODUCT INFORMATION

The UH holder is made of specially modified polyamide. The material is halogen, phosphor and cadmium-free. The holder is used to fix cable protection conduits to equipment and machinery.

The UH holder features the following advantages:

- Quick assembly thanks to single-hole fixing

- Protective conduit is simply snapped in
- Optimum connection of conduit to holder thanks to double webs of holder
- Optional BL bracket for applications with high stresses

Specification:

- EN 45545-2 3x HL3
- NFPA 130: ASTM E 162, ASTM E 662

SPECIFICATIONS

- UL listed material mod. polyamide PA 6
- 40 – 110 °C short term 140 °C
- acc. to UL94 V0 self-extinguishing
-

Type	Order No.	Colour	Suitable for Murrflex	G Suitable for	A mm	B mm	C mm	Pack qty.
suitable for Murrflex EW and EWX								
UH 07	83621210	Black	M10/P07	M4	29.00	23.00	11.00	100
UH 09/M4	83621212	Black	M12/P09	M4	30.00	23.00	12.50	100
UH 09/M5	83621213	Black	M12/P09	M5	30.00	23.00	12.50	100
UH 11/M4	83621214	Black	M16/P11	M4	30.00	23.00	12.50	100
UH 11/M5	83621215	Black	M16/P11	M5	30.00	23.00	12.50	100
UH 16/M5	83621216	Black	M20/P16(S)	M5	35.00	30.00	15.00	100
UH 16/M6	83621217	Black	M20/P16(S)	M6	35.00	30.00	15.00	100
UH 21	83621218	Black	M25/P21(S)	M6	42.00	38.00	16.00	100
UH 29	83621220	Black	M32/P29(S)	M6	51.00	43.00	16.00	50
UH 36	83621222	Black	M40/P36(S)	M6	61.00	51.00	18.00	50
UH 48	83621224	Black	M50/P48(S)	M6	74.00	64.00	19.00	50
UH 07	83621110	Grey	M10/P07	M4	29.00	23.00	11.00	100
UH 09/M4	83621112	Grey	M12/P09	M4	30.00	23.00	12.50	100
UH 09/M5	83621113	Grey	M12/P09	M5	30.00	23.00	12.50	100
UH 11/M4	83621114	Grey	M16/P11	M4	30.00	23.00	12.50	100
UH 11/M5	83621115	Grey	M16/P11	M5	30.00	23.00	12.50	100
UH 16/M5	83621116	Grey	M20/P16(S)	M5	35.00	30.00	15.00	100
UH 16/M6	83621117	Grey	M20/P16(S)	M6	35.00	30.00	15.00	100
UH 21	83621118	Grey	M25/P21(S)	M6	42.00	38.00	16.00	100
UH 29	83621120	Grey	M32/P29(S)	M6	51.00	43.00	16.00	50
UH 36	83621122	Grey	M40/P36(S)	M6	61.00	51.00	18.00	50
UH 48	83621124	Grey	M50/P48(S)	M6	74.00	64.00	19.00	50

Typ UH

MATERIAL PROPERTIES



UL listed material mod. polyamide PA 6

THERMAL PROPERTIES



Temperature / temperature range
-40 – 110 °C short term 140 °C

FIRE PROPERTIES



Fire classification
acc. to UL94 V0 self-extinguishing



Fire properties as per EN 45545-2
C.I.T. R22 / R23 HL3 = 00:43
LOI R22 / R23 HL3 = 33,8 %
Ds (max.) R22 / R23 HL3 = 63
ASTM E 162, ASTM E 662 1

TECHNICAL INFORMATION



Halogen-free

CONFORMITY



RoHS (EC Directive 2011/65/EU)

APPROVALS AND OPERATING PERMITS



EU railway approval
EN 45545-2 R22/R23 3x HL3



Made in Germany

All details given in our sales brochures and catalogues, as well as the information available online, are based on our current knowledge of the products described.

The electronic data and files made available by Murrplastik, particularly CAD files are based on our current knowledge of the product described.

A legally binding assurance of certain properties or the suitability for a certain purpose can not be determined from this information.

All information with respect to the chemical and physical properties of Murrplastik products, as well as application advice given verbally, in writing or by tests, is given to the best of our knowledge.

This does not free the purchaser of carrying out their own inspections and tests in order to determine the suitability of a product for a specific purpose.

Murrplastik accepts no responsibility for the available information being up-to-date, correct or complete. Neither do we accept responsibility for the quality of this information.

Murrplastik accepts no liability for damage caused as a result of using our products.

Murrplastik reserves the right to make technical changes and improvements through constant further development of products and services.

Our General Terms and Conditions apply.