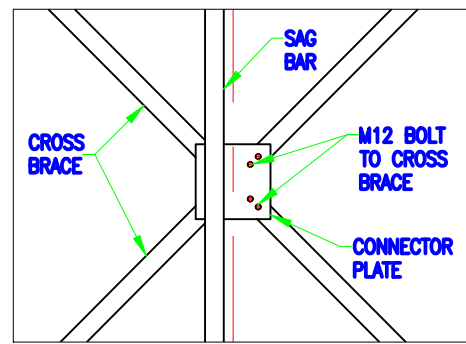
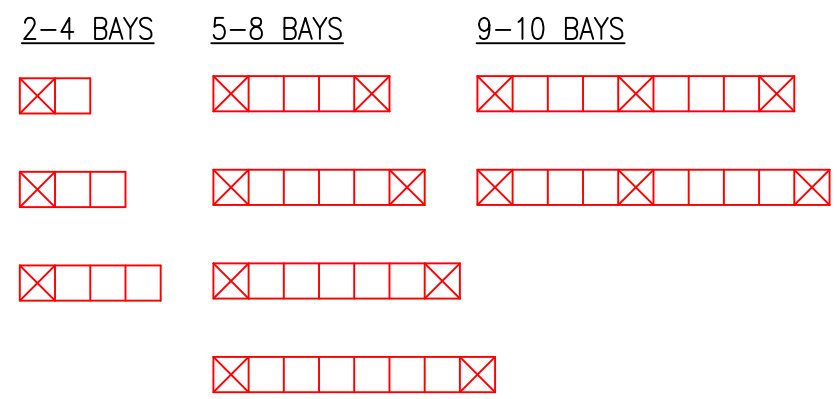
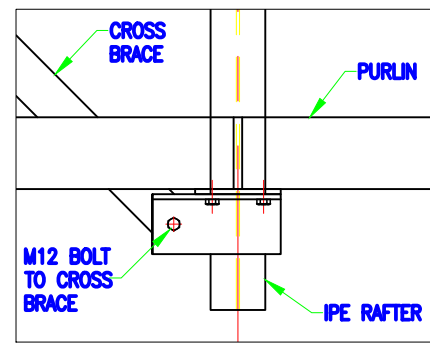


NOTE: CROSS BRACING CONNECTED TO UNDERSIDE OF PURLINS USING 2x $\varnothing 8$ mm HEX HEAD BOLT & NUTS AT EACH INTERSECTION.

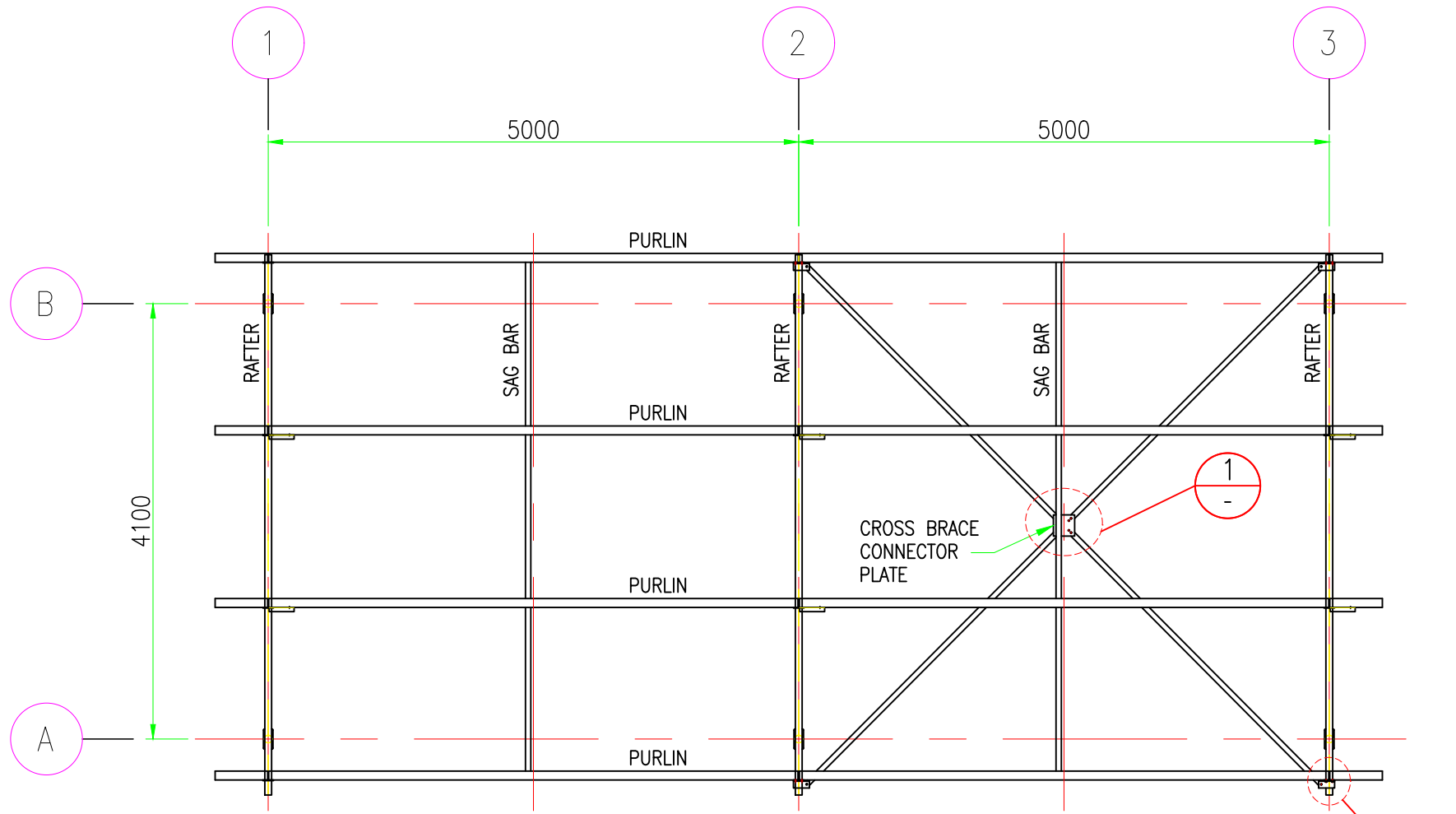
NOTE: CROSS BRACING TO BE PROVIDED AS INDICATED BELOW:
 2-4 BAYS REQUIRES 1 SET OF CROSS BRACING.
 5-8 BAYS REQUIRES 2 SETS OF CROSS BRACING.
 9-10 BAYS REQUIRES 3 SETS OF CROSS BRACING.



DETAIL 1
N.T.S



DETAIL 2
N.T.S



ROOF STRUCTURE LAYOUT

REVISIONS																						
	A	Issued For Information Only																				
	REV	DESCRIPTION	DRAWN DATE	CH'KED DATE	REFERENCE DRG'S	DRAWING No.	DESCRIPTION	CLIENT: FOR INFORMATION ONLY	TITLE	SCALE	N.T.S	SHT No.	3	DRG No.	000-V20-CM-0030	DATE	24.05.20	REV No.	A	DRAWN	CHECKED	APPROVED



THIS DOCUMENT IS THE EXCLUSIVE PROPERTY OF VALSA TRADING PTY (LTD) AND IS NON PUBLIC, CONFIDENTIAL AND PROPRIETARY. IT MAY NOT BE REPRODUCED, PUBLISHED OR DISCLOSED, IN WHOLE OR IN PART TO ANY OTHER PARTY WITHOUT THE EXPRESS CONSENT OF VALSA TRADING PTY (LTD). ANY PARTY WHICH BREACHES THE AFOREMENTIONED SHALL BE LIABLE TO VALSA TRADING PTY (LTD) FOR INTER ALIA ANY LOSS OR DAMAGES ARISING FROM THE UNAUTHORISED USE OF THIS DOCUMENT.