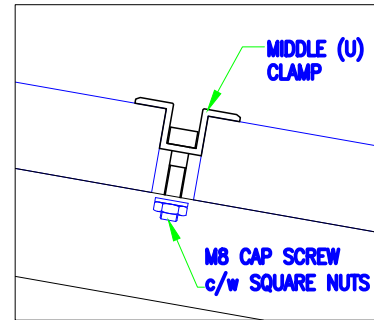
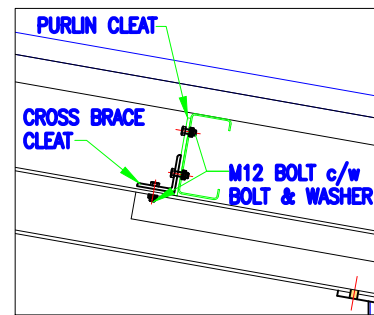


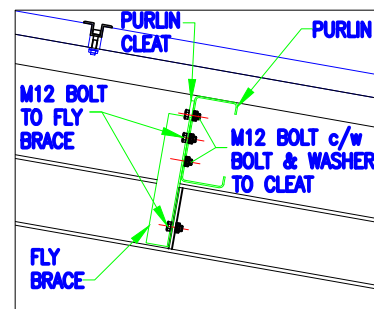
DETAIL 1  
N.T.S



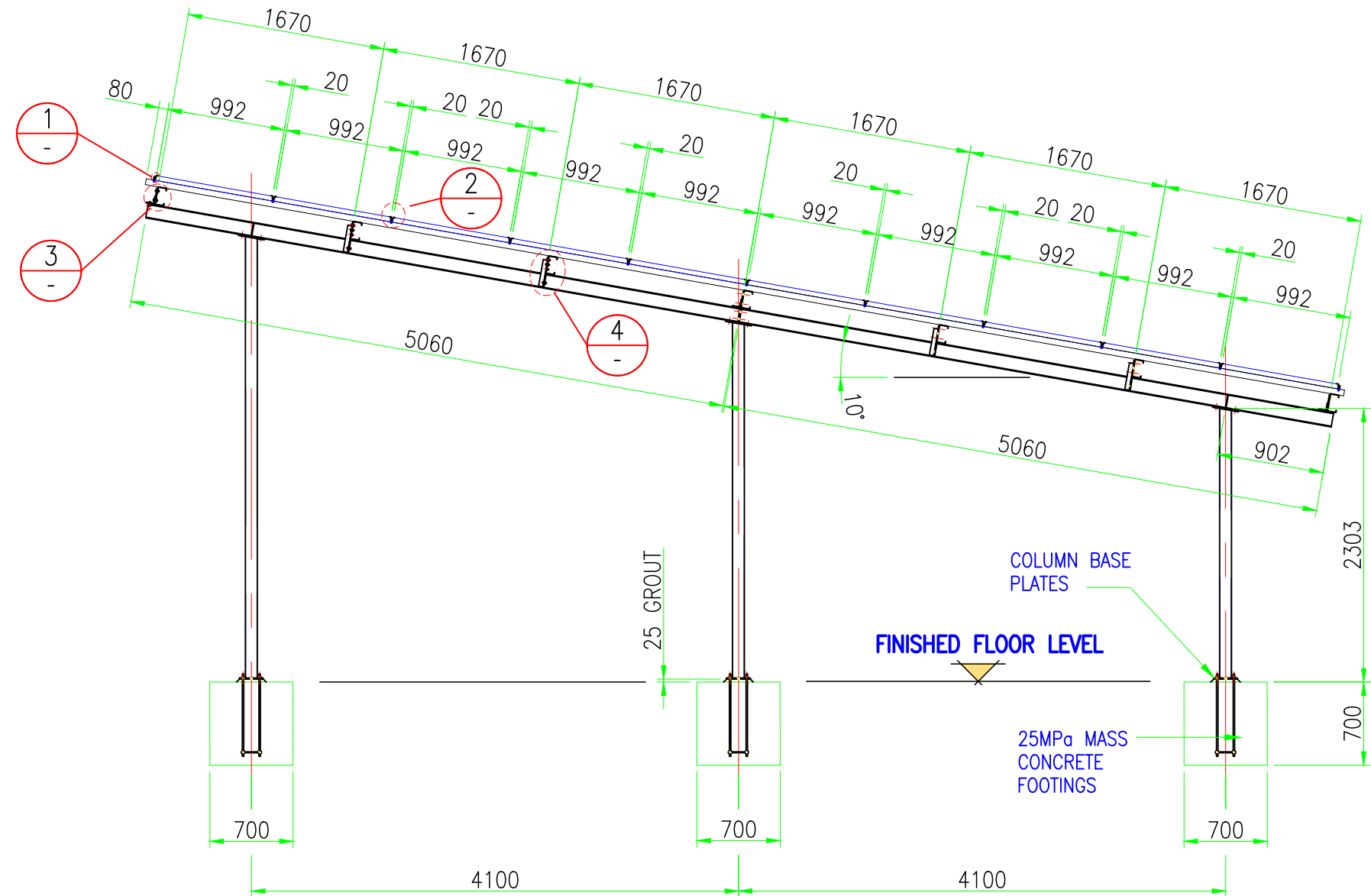
DETAIL 2  
N.T.S



DETAIL 3  
N.T.S



DETAIL 4  
N.T.S



SIDE ELEVATION

4100

REVISIONS				REFERENCE DRG'S		CLIENT: FOR INFORMATION ONLY	DRAWN		<p>www.valsa.co.za info@valsa.co.za Tel: +27 11 794 1306 Cell: +27 84 235 5282 / +2761 288 2572</p>		
						TITLE	CHECKED				
	A	Issued For Information Only					SINGLE ROW DOUBLE PARKING BAY STAND ALONE 10 ROWS OF PANELS	APPROVED			
	REV	DESCRIPTION	DRAWN DATE		CH'KED DATE	DRAWING No.	DESCRIPTION	SCALE			N.T.S
						DATE	24.05.20	REV No.	A	000-V20-CM-0031	

THIS DOCUMENT IS THE EXCLUSIVE PROPERTY OF VALSA TRADING PTY ( LTD ) AND IS NON PUBLIC, CONFIDENTIAL AND PROPRIETARY. IT MAY NOT BE REPRODUCED, PUBLISHED OR DISCLOSED, IN WHOLE OR IN PART TO ANY OTHER PARTY WITHOUT THE EXPRESS CONSENT OF VALSA TRADING PTY ( LTD ). ANY PARTY WHICH BREACHES THE AFOREMENTIONED SHALL BE LIABLE TO VALSA TRADING PTY ( LTD ) FOR INTER ALIA ANY LOSS OR DAMAGES ARISING FROM THE UNAUTHORISED USE OF THIS DOCUMENT.